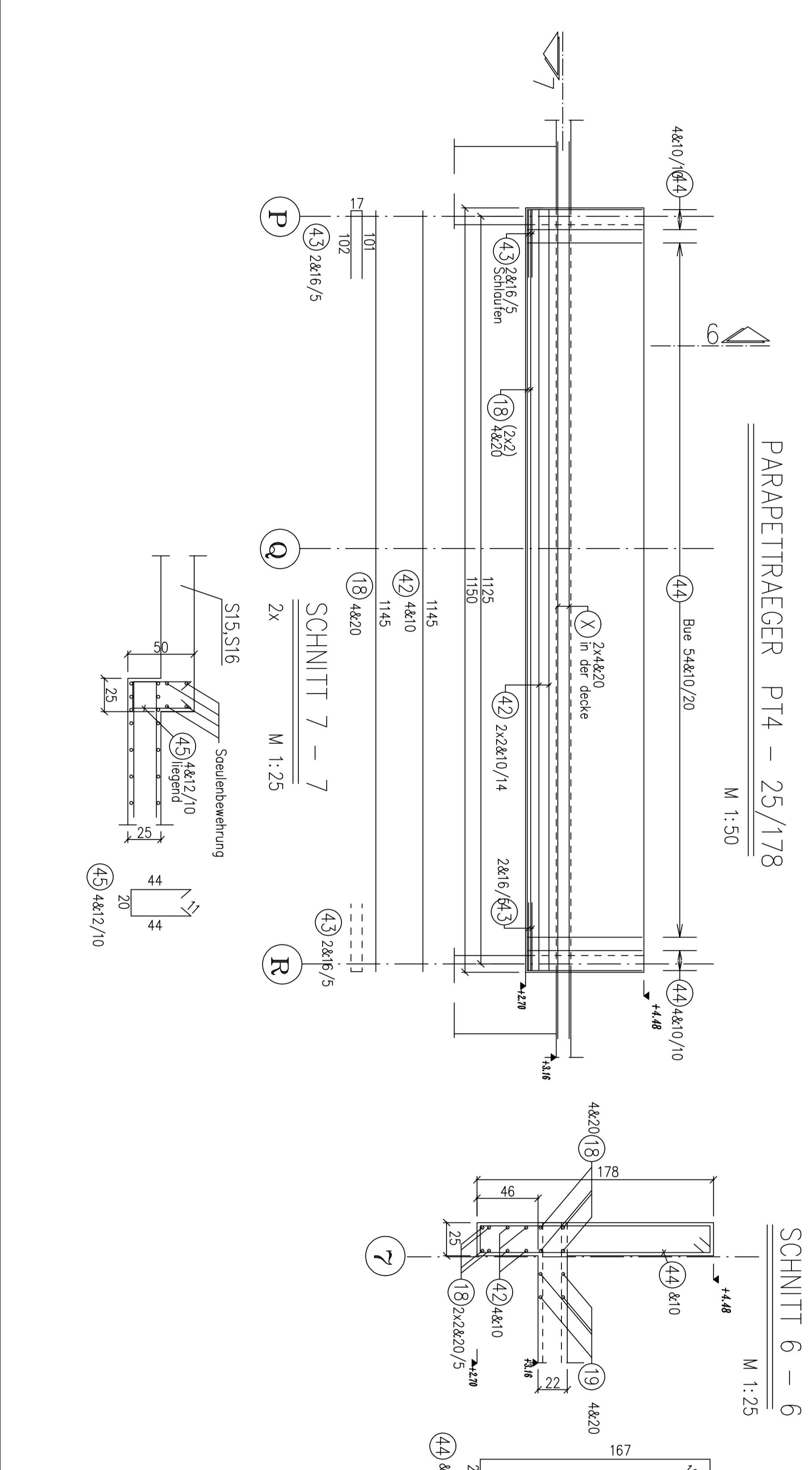
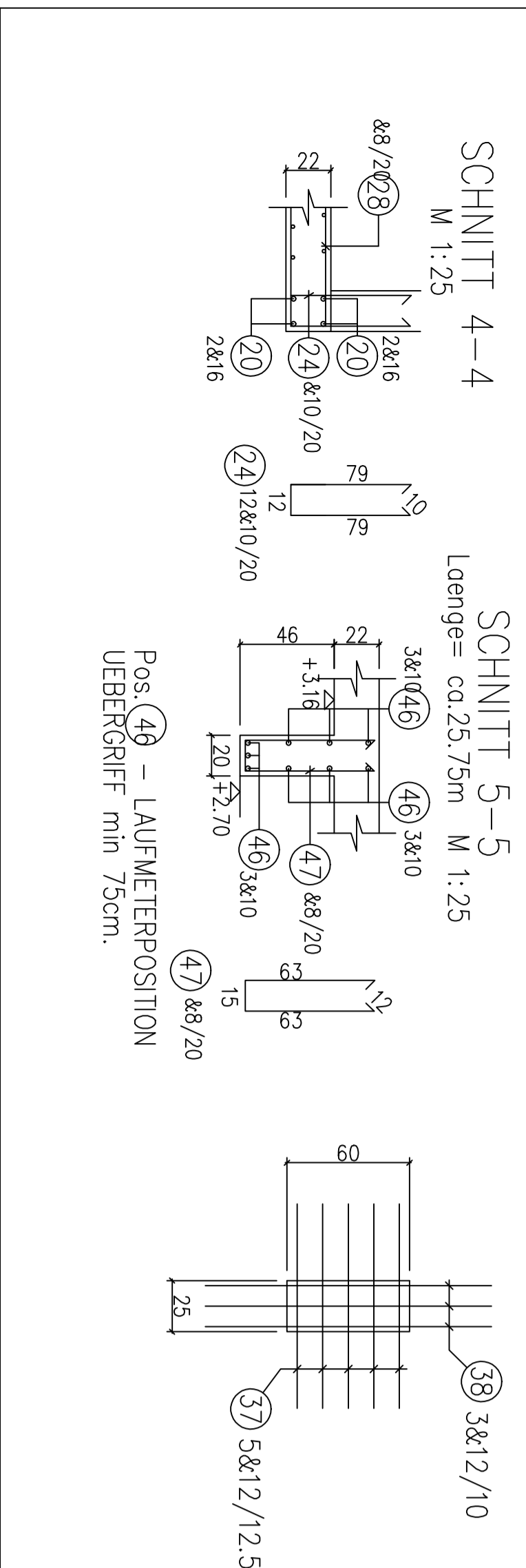
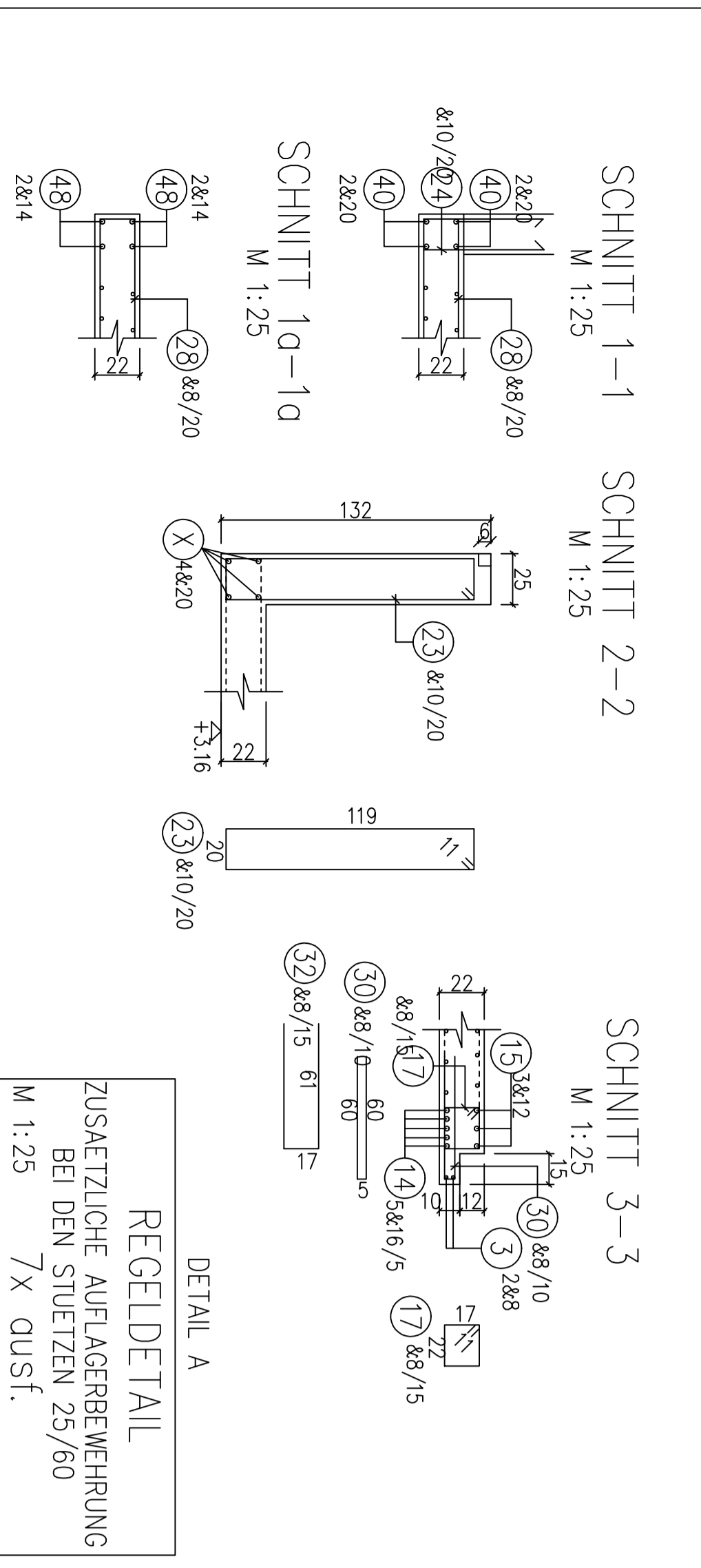
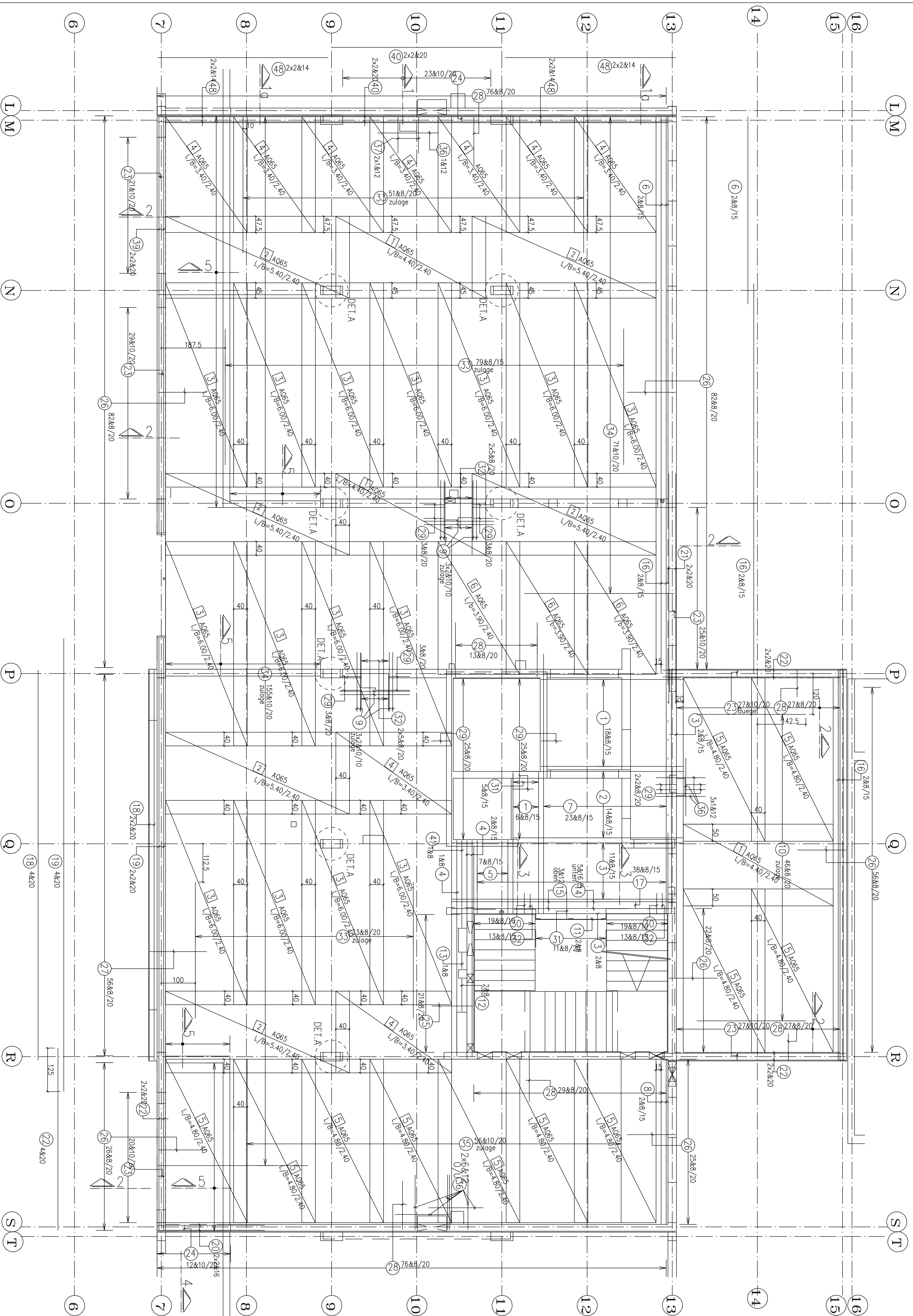


UNTERE BEWEHRUNG

M 1:25



Proj.-Nr.: 124/99
Bauh.-Nr.: 1/2

Pl. Nr.: 614
BELEGLISTE

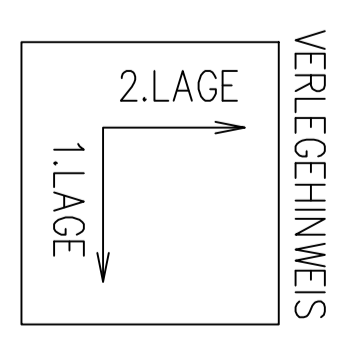
1	24x88	lg=4,15m	35	22	2x2x20	lg=5,35m
2	14x88	lg=5,00m	36	23	14x8/10	lg=3,00m
3	15x88	lg=2,15m	37	24	35x8/10	lg=1,90m
4	3x88	lg=6,35m	38	25	21x8	lg=2,55m
5	7x88	lg=4,45m	39	26	29x3x88	lg=2,50m
6	2x88	lg=5,50m	40	27	56x88	lg=3,00m
7	23x88	lg=7,65m	41	28	248x88	lg=2,50m
8	2x88	lg=4,85m	42	29	66x88	lg=1,35m
9	12x10	lg=2,00m	43	30	38x88	lg=1,25m
10	46x88	lg=3,20m	44	31	16x88	lg=1,80m
11	2x88	lg=2,75m	45	32	46x88	lg=1,40m
12	2x88	lg=1,75m	46	33	16x3x88	lg=4,00m
13	1x88	lg=1,45m	47	34	226x8/10	lg=4,40m
14	8x8/6	lg=6,55m	48	35	56x8/10	lg=4,80m
15	3x8/12	lg=6,55m	49	36	17x8/12	lg=1,60m
16	4x88	lg=11,45m	50	37	36x8/12	lg=1,00m
17	38x88	lg=1,00m	51	38	21x8/12	lg=1,40m
18	8x8/20	lg=11,45m	52	39	4x8/20	lg=12,20m
19	4x8/20	lg=13,30m	53	40	4x8/20	lg=5,00m
20	4x8/6	lg=3,15m				
21	4x20	lg=6,75m				

Proj.-Nr.: 124/99
Bauh.-Nr.: 2/2

Pl. Nr.: 614
BELEGLISTE

1	35K	A065	L/B=4,40/2,40m
2	65K	A065	L/B=5,40/2,40m
3	155K	A065	L/B=6,00/2,40m
4	95K	A065	L/B=3,40/2,40m
5	115K	A065	L/B=4,80/2,40m
6	35K	A065	L/B=3,90/2,40m

41	2x88	lg=3,35m
42	4x8/10	lg=11,45m
43	4x8/6	lg=2,20m
44	62x8/10	lg=3,95m
45	8x8/12	lg=1,30m
46	1x8/10	lg=243,0m
47	130x88	lg=1,65m
48	8x8/14	lg=5,00m



ZU BEACHTEN
ZUGEHÖRIGE STAHLKERPLÄNE
124/99/010

ZUGEHÖRIGE STAHLSTÜTEN
2 Blatt Stahlteile

BAUSTOFFE
B000

BETONESTOBEIT
B000

STÄHLGÜTTE
BSt 500
23 mm

BETONDECKUNG
ARCHITECTURNE BEACHTEN!
KOTEN FÜR DEN I.
NATURKASSE NEMEN!
G-TÜREN BEACHTEN!

Index	Datum	Gez.	Für	Änderung